

## PTE701 Sales material

Company: Pakton Technologies Pty Ltd

Contact Person: Kayleen Thompson (Marketing Manager)

Address: PO Box 1068, Burpengary DC QLD 4505

Phone: 07 3888 3793

Fax: 07 3888 4330

Email: [sales@pakton.com.au](mailto:sales@pakton.com.au)

For: Distributors and Dealers to pass on to stores and customers.  
Media personnel (for their information)

Topic: Alarm cattle thieves with your electric fence.

Summary: Cattle owners can be alerted of cattle theft by turning their electric fences into alarms. The PAKTON PTE0701 enables existing equipment to be used.

Content: Follows as 2 x A4 pages that can be photocopied back-to-back for customer information.

Be sure to stamp the store stamp on the bottom of page 2.



# Alarm cattle thieves with your electric fence.

Give Rustlers a Shock!

With rising stock prices comes rising levels of theft (up 23% in Queensland - ABC news). By cutting through a fence or opening a little used gate thieves can make off with thousands of dollars worth of stock while you sleep.

The solution may be under your nose. Many farms already have electric fences. Existing electric fences can be turned into alarm systems, complete with sirens or flashing lights.

To secure a paddock at least one live wire needs to go from the energiser, completely around the paddock, and back to a monitor. The PTE0701 monitor will work with your existing energiser so the set up cost is minimised. The science behind the idea is simple enough: if the fence is disturbed the live wire will either be cut or shorted to ground; the voltage drops; the PTE0701 sounds an alarm (because the voltage has dropped quickly).

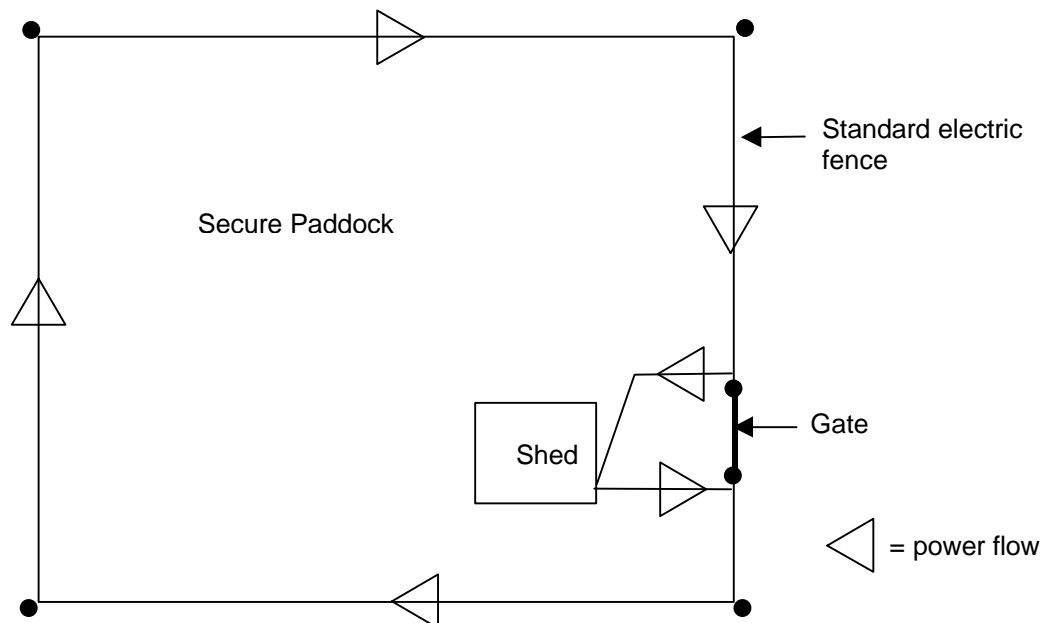
The PTE0701 comes with it's own inbuilt siren, instructions and DC plug pack to get you going right away. There is no programming, setting or complex wiring. The PTE701 comes with instructions on how to connect it to an external siren and/or flashing light.

What you need to secure a paddock:

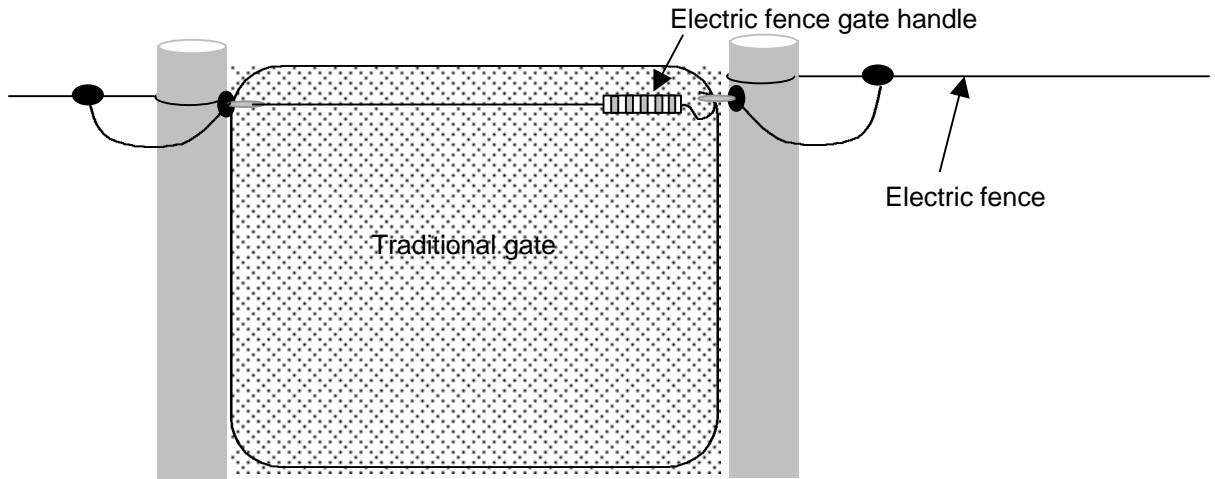
- 1) At least one live wire right around the paddock, this may be offset from a standard fence.
- 2) Ensure all gates are padlocked or bypassed using an electric fence spring gate.
- 3) A reliable electric fence energiser, a medium powered mains unit is ideal.
- 4) The PTE0701 electric fence monitor\*
- 5) Optional outdoor siren or strobe, available from your local Dick Smith store or security product retailer.

The following instructions show how to secure a single paddock. For more complex arrangements please call 1800 249 642 (in Australia only and toll free) or email [sales@pakton.com.au](mailto:sales@pakton.com.au) and our technicians will be happy to discuss with you how to alarm your farm. Pakton also makes other monitors suitable for connection to home or industrial alarm panels with auto diallers. More information is also available on the net at [www.pakton.com.au](http://www.pakton.com.au)

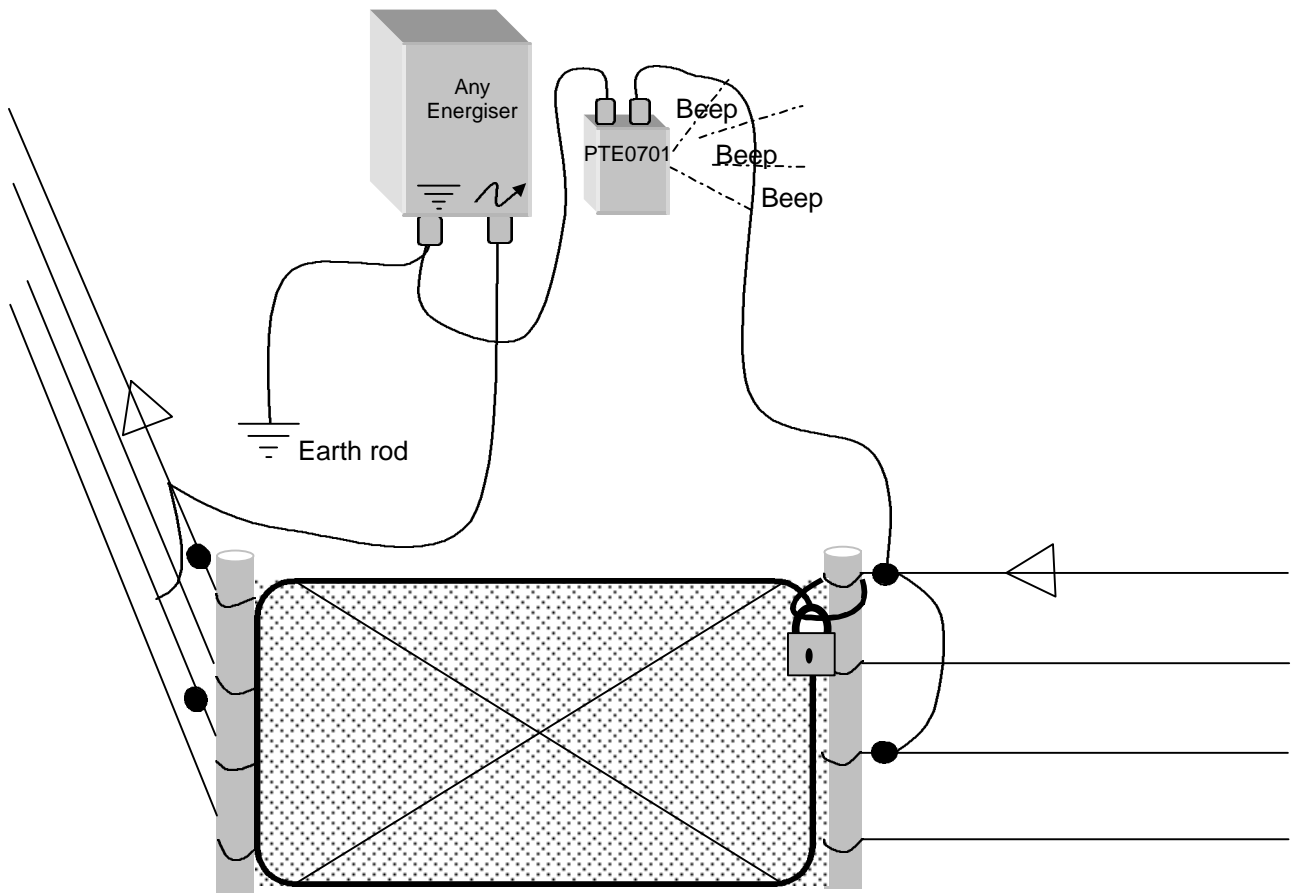
**Diagram 1:** The paddock is "wired" with power flowing around the paddock from the energiser to the monitor. Note: the shed houses the energiser and monitor.



**Diagram 2.** A traditional gate is secured by using an electric gate with a gate spring handle. Use wire instead of tape and do not use an underground cable as well. The idea is that if the gate is opened there will be no power to the rest of the fence and the alarm will sound.



**Diagram 3.** The simple wiring from the energiser to the fence and back to the monitor.



\* Available from: